

Features

- Manual operated directional control valve with inline threaded ports.
- Detent or spring centered options. Detent holds the valve in place until the lever is pulled/pushed. Spring return requires operator to hold the valve in the position required, when released the valve returns to the center position.
- Cast Iron, phosphate surface



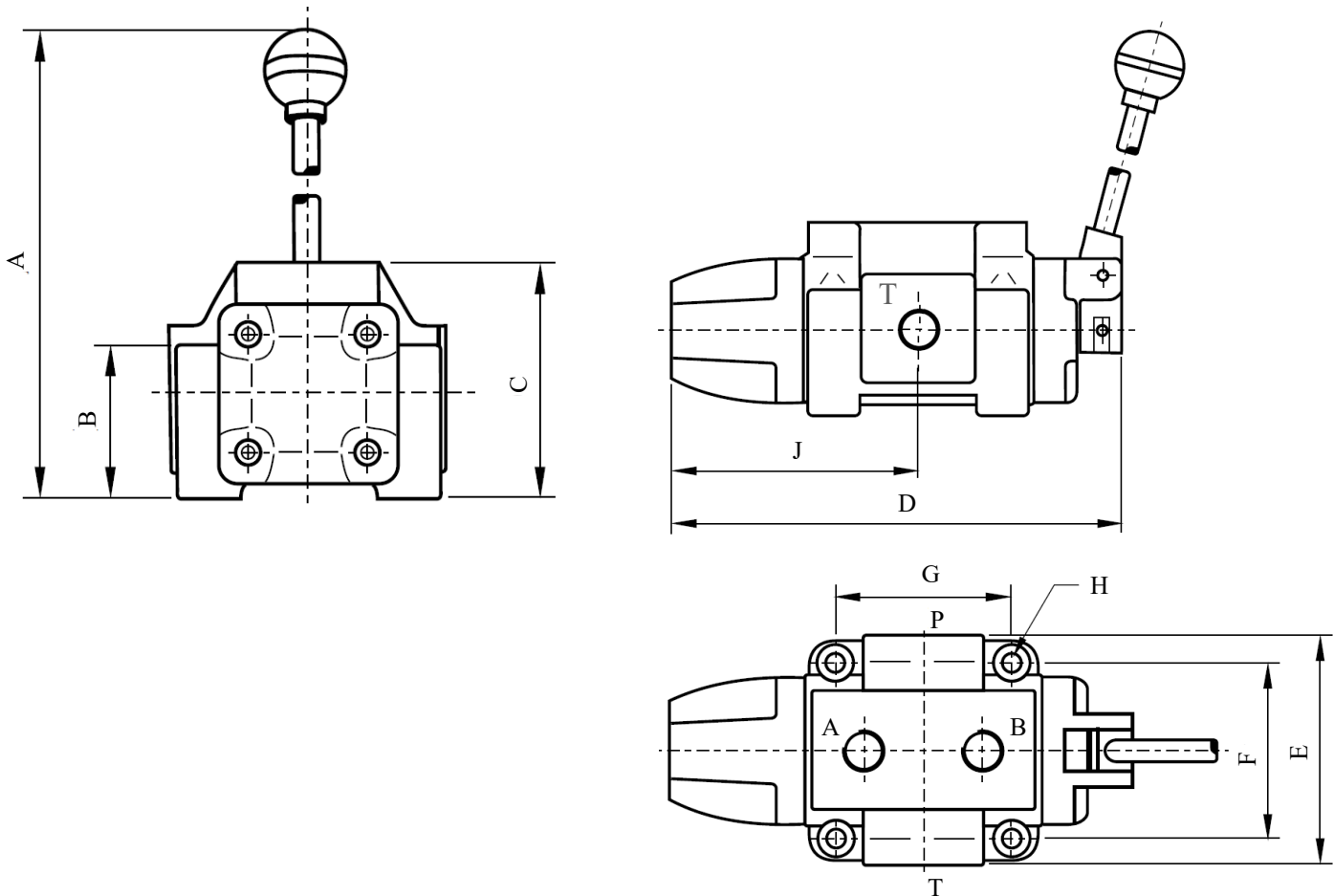
Ordering Details

V	Valve
I	Inline connection
D-	Directional Valve
N.5-	Port Sizes A, B, P and T: 1/2" NPTF
C	Spool Configuration
ML-	Actuator Type: ML = Manual Lever
1	Series

	Spring Return	Detent
C		CD
T		TD
M		MD
O		OD

Example Part Number: VID-N.5-CML-1

Dimensions and Technical data



Size	Max. Flow lpm (gpm)	Max. Pressure, A, B and P Port bar (psi)	Max. Pressure, T Port bar (psi)	Weight Kg (lbs.)	Dimensions mm (inch)								
					A	B	C	D	E	F	G	H	J
N.5	100 (26.3)	315 (4568)	160 (2320)	4 (8.8)	250 (9.84)	75 (2.95)	87 (3.42)	178 (7.0)	78 (3.07)	50 (1.97)	56 (2.2)	7 (0.28)	96 (3.78)